

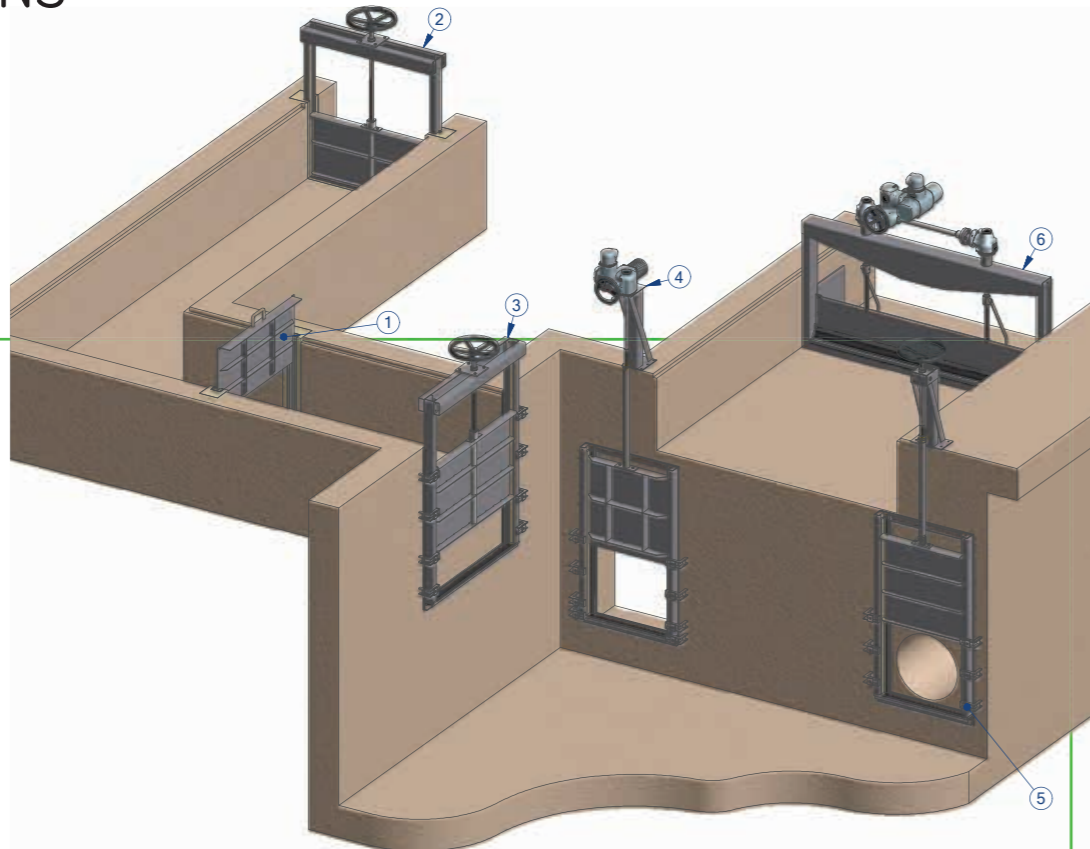
Since 1974



FLOW CONTROL PENSTOCK

- FOR ANY APPLICATION
- VARIOUS SIZES
- MANUAL
- ELECTRICAL

APPLICATIONS



INDEX

1. SLUICE GATE
2. CHANNEL PENSTOCK (MANUAL)
3. HINGED OVERFLOW WEIR PENSTOCK (MANUAL)
4. WALL MOUNTED PENSTOCK (ELECTRICAL)
5. WALL MOUNTED PENSTOCK (MANUAL)
6. GATE STYLE OVERFLOW WEIR (ELECTRICAL)

TYPICAL TECHNICAL DATA

- Max pressure up to 8m w.c.
- Double directional flow
- Single or double stem
- Non rising or rising stem
- Manual operation
- Electrical operation

CONSTRUCTION MATERIAL

- Stainless Steel 1.4301 – AISI304L
- Stainless Steel 1.4401 – AISI316L

SEALING MATERIAL

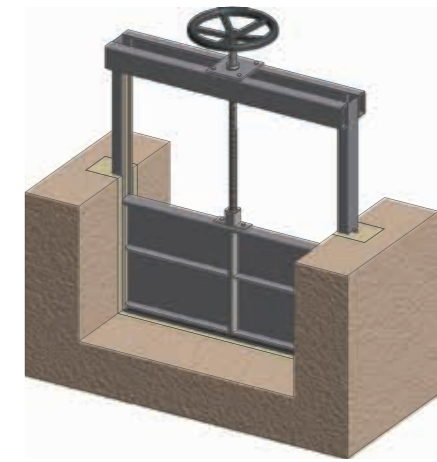
- ELASTIC (EPDM, NEOPRENE, HDPE, MORE UPON REQUEST)

LEAKAGE LIMIT AND PENSTOCK CLASS ACCORDING TO DIN 19569-4

Sealing - Class	Maximum Leakage Rate per seating meter $l \cdot s^{-1} \cdot m^{-1}$	Penstock Type
1	0,3 - 1,0	Stop Log Gate
2	0,1 - 0,3	Sluice Gate
3	0,05 - 0,1	Channel
4	0,02 - 0,05	Pressure
5	0 - 0,02	Special application (Upon request)

SLUICE GATE

- Suitable for open channel installation
- Low cost solution
- Lower leakage than the maximum allowable defined by DIN 19569-4



OVERFLOW WEIR

- Suitable for downward opening applications
- Manual and Electrical option
- Lower leakage than the maximum allowable defined by DIN 19569-4

CHANNEL PENSTOCK

- Suitable for open channel installation
- Manual and Electrical option
- Lower leakage than the maximum allowable defined by DIN 19569-4

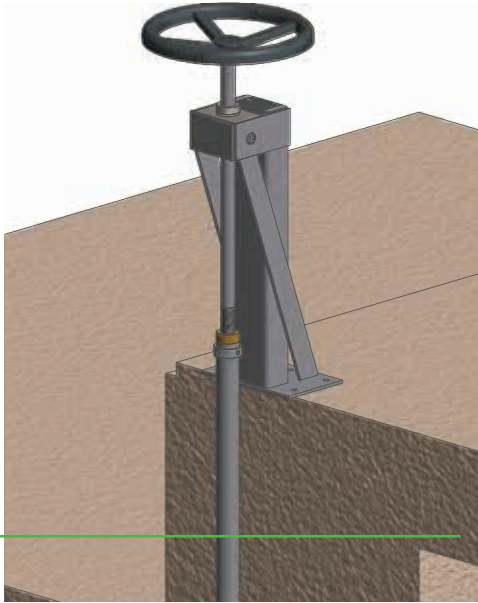


WALL MOUNTED PENSTOCK

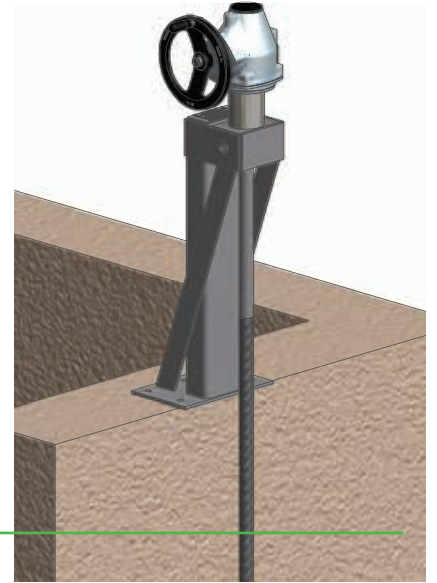
- Suitable for different types of applications
- Manual and Electrical option
- Lower leakage than the maximum allowable defined by DIN 19569-4

OPERATION TYPES

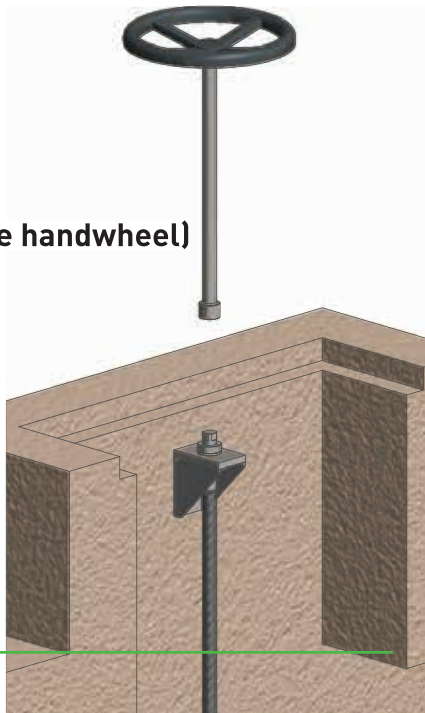
Manual



**Manual
(with gearbox)**



**Manual
(with detachable handwheel)**



**Electrical
(with actuator)**

